

- **2-way full-range loudspeaker system loaded with 6.5"/1"**
- **Innovative "Full Passive Concept" for highest audio quality**
- **Maximum SPL 118dB**
- **Separate protection circuits for maximum safety**
- **Very compact size**
- **Precise coverage starting at 1300 Hz**
- **16 Ohm version and 100 V version available**

The CA106 is a very compact full-range 2-way loudspeaker system with 6.5" and 1" transducers. The new "full passive concept" gives the highest possible audio quality without the need of a controller or processor, just connect to a power-amp. With the coverage of 90° x 60° degrees, the CA106 works in nearfield and medium throw applications. Even at a distance the CA106 sounds very direct and clear. Music programme is reproduced with easily perfection and astonishing lows, human voice with good articulation. Even at higher level the full-range loudspeaker is free of coloration and distortion. The sound is still dynamic and clear.

In the CA106, an efficient and powerful 6.5" long excursion loudspeaker in an optimum ported enclosure and a newly designed 1" horn/ driver combination, is used. This special driver has an extremely light and stable inverse diaphragm, which is directly assembled to the horn. The minimal depth of the horn/driver combination brings the two transducers on the same acoustical line giving perfect time alignment and perfect phase relationship. A newly designed large CD horn provides consistent pattern control and a very good directivity starting at 1300 Hz. This and the good frequency response guarantee good use of the CA106 even in critical situations (i.e. lavalier microphones).

The well-considered asymmetrical design of the CA106 enclosure and the variety of mounting hardware options allow flexible use in various sound applications. The CA106 can be used in horizontal and vertical planes. A rotatable horn gives the freedom to adjust the CA106 for the wanted coverage (e.g. for monitor or cluster-applications).

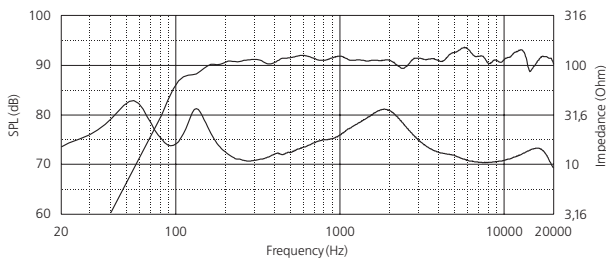
The CA106 "full passive concept" gives the user a full quality, cost effective alternative to comparable controller systems on the market.



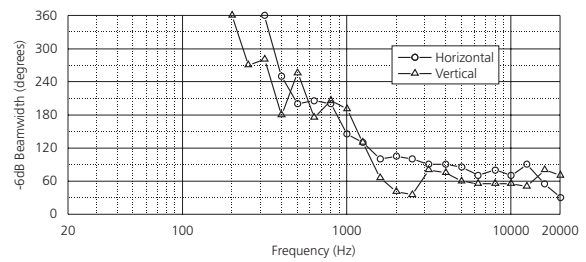
<b>Design</b>	2-way passive-system, bassreflex tuning
<b>Frequency response -10 dB</b>	78 Hz - 22 kHz
<b>Frequency response ±3 dB</b>	88 Hz - 20 kHz
<b>Nominal coverage angles</b>	90° x 60° (hor. x vert.)
<b>Directivity index (DI)</b>	10 (+1,5/-2) 1,5 kHz - 15 kHz
<b>Power handling</b>	120 Watt
<b>Sensitivity 1 W/1 m</b>	92 dB
<b>Max SPL</b>	118 dB (SPL peak/1 m)
<b>Components</b>	6,5" woofer 1" driver on a rotatable 90° x 60° CD-horn
<b>Crossover</b>	1,8 kHz 18 dB/Okt. automatic resettable driver and woofer protection
<b>Impedance</b>	16 Ω
<b>Connectors</b>	2 x Speakon NL4MP (1+/-)
<b>Connectors 100 Volt version</b>	barrier strip or 2 x Speakon NL4MP
<b>Additional descriptive data</b>	Multifunctional enclosure with monitor and cluster angles 12 mm birch plywood with scratch proof grey, white or black polyurethane paint 2 x M6 and 8 x M8 internal T-Nuts compatible with variety of mounting hardware black painted perforated steel grille with black acoustical foam
<b>Dimensions</b>	195 x 365 x 206,5 mm (W x H x D)
<b>Weight</b>	7 kg
<b>Options</b>	100 Volt version with toroidal transformer (50/100/150 VA or 30 VA), variety of mounting hardware, painted in RAL-colours

# CA 106

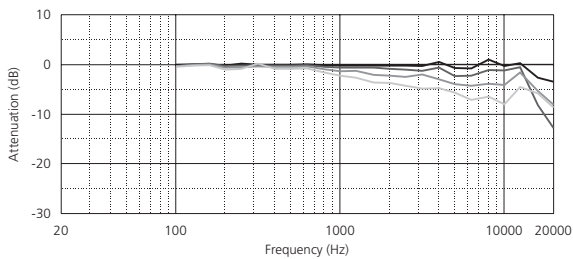
## Frequency response "on axis"



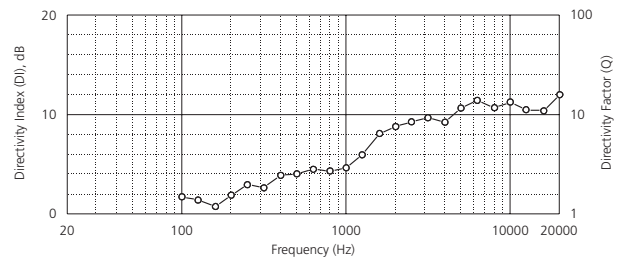
## Beamwidth



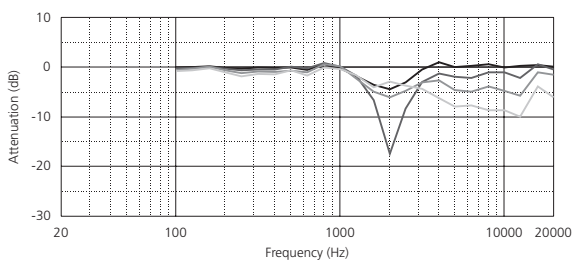
## Horizontal frequency response "off axis"



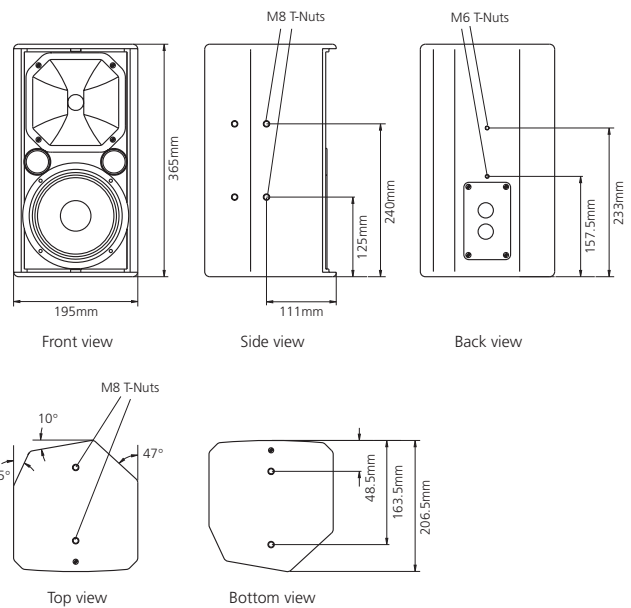
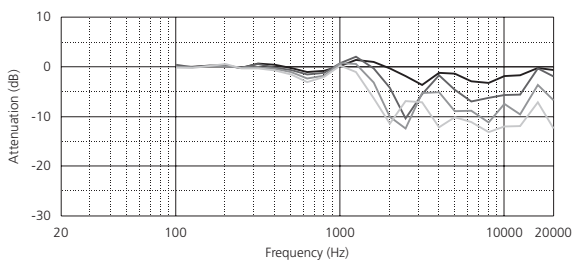
## Q-Index



## Vertical frequency response "off axis up"



## Vertical frequency response "off axis down"



All measurements: Far field conditions. Frequency response 1/6 octave averaged, polar and directivity data 1/3 octave averaged. Kling & Freitag reserves the right to change all specifications without notice. We are not liable for misprints.

## Architects' & engineers' specifications

Excellent 2-way full-range loudspeaker system loaded with 6.5" woofer and 1" driver on a rotatable 90° x 60° CD-horn. Homogeneous coverage and constant directivity starting at 1.5 kHz. Integrated cross-over with automatic resettable driver and woofer protection and passive filter to optimise phase response and time alignment. Multifunctional enclosure with monitor and cluster angles. 12 mm birch plywood with scratch-proof grey, white or black polyurethane paint, 2 x M6 and 8 x M8 internal T-Nuts compatible to a variety of mounting hardware, black painted perforated steel grille with easily exchangeable black acoustical foam.

### Technical specifications:

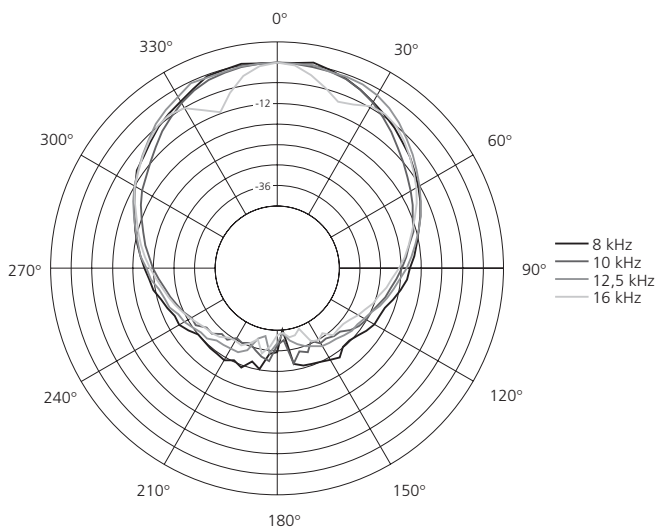
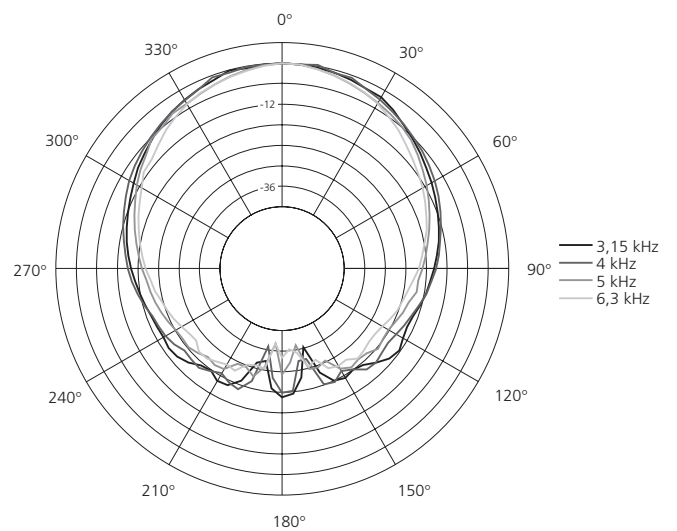
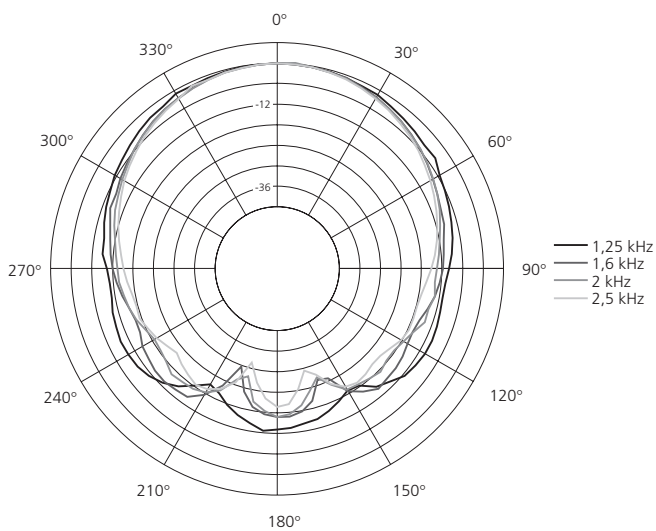
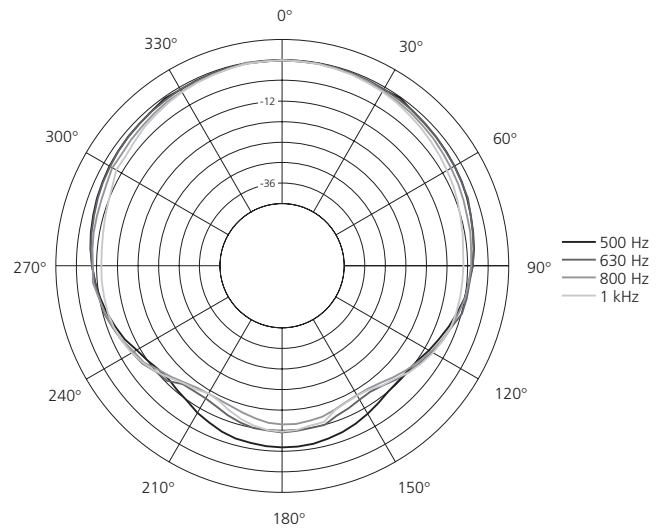
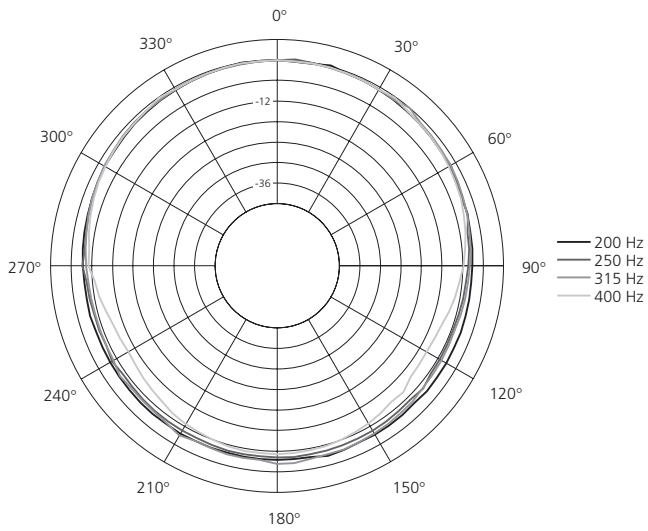
Frequency response: 78 Hz - 22 kHz (-10 dB), 88 Hz - 20 kHz (±3 dB), Max SPL: 118 dB (SPL peak/1 m), Sensitivity: 92 dB (1 W/1 m) Power handling: 120 W, Impedance: 16 Ω, Dispersion pattern: 90° x 60° (hor. x vert.), Directivity index: 10 (+1.5/-2) 1.5 kHz - 15 kHz, Connectors: 2 x Speakon NL4MP, Size: (W x H x D) 195 x 365 x 206.5 mm, Weight: 7 kg, Options: painted in RAL colours, 100 V version.

### Model: Kling & Freitag CA106

Kling & Freitag GmbH  
 Junkersstrasse 14  
 D-30179 Hannover  
 Tel. +49 (0)511 96 99 7-0  
 Fax +49 (0)511 67 37 94  
 www.kling-freitag.de



**Horizontal Polar Plots**



## Vertical Polar Plots

